

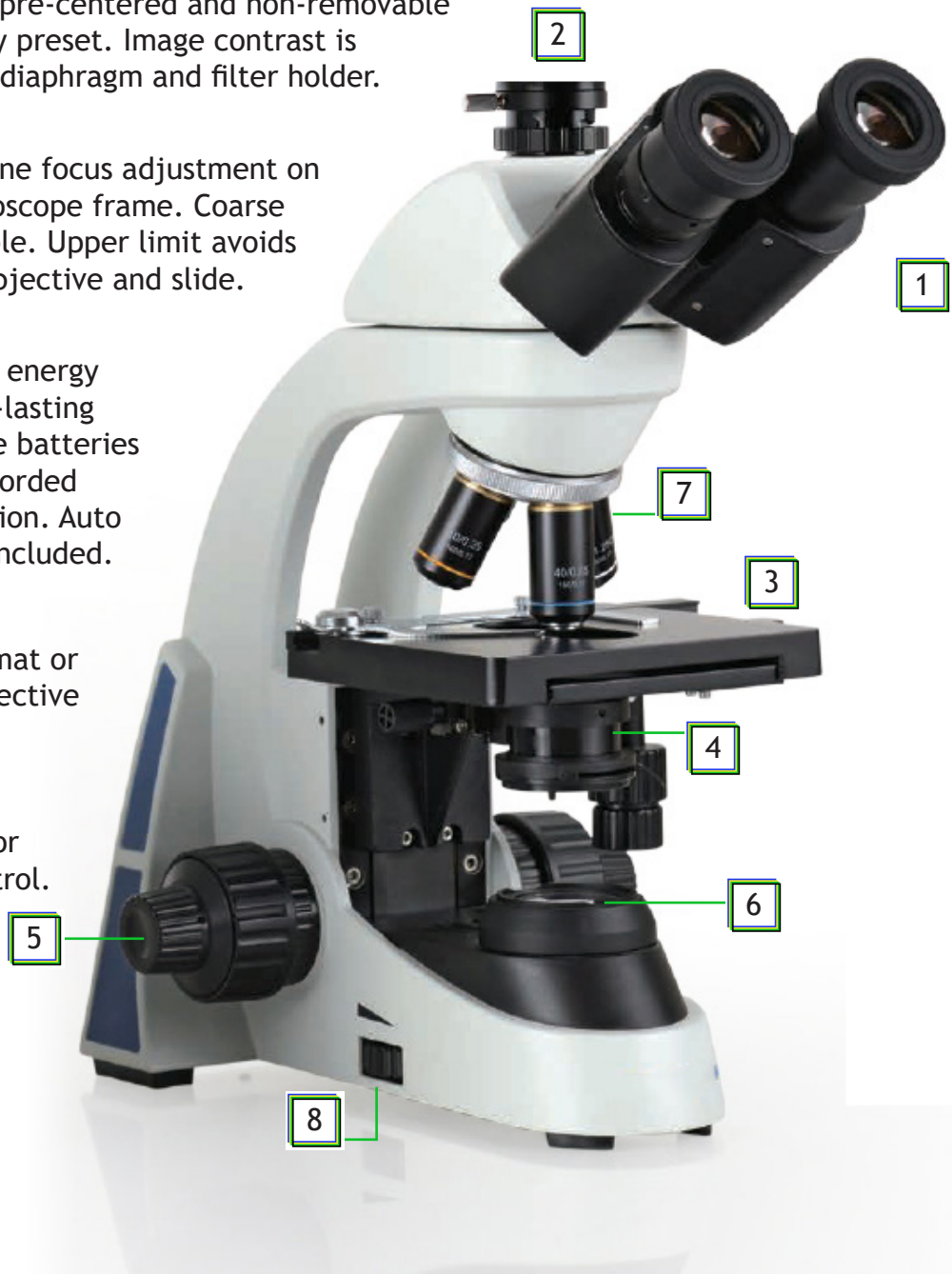
UX1 Microscopes





UX1 Microscope Features

- 1 Ergonomically inclined head with eyetubes at 30° places user in the best working position, creating less tension and fatigue. Interpupillary distance is adjustable from 50~75mm.
- 2 Trinocular port with c-mount adapter for camera or tablet connection.
- 3 Double layer mechanical stage 140mm x 132mm with 50mm x 76mm movement range.
- 4 Abbe condenser is pre-centered and non-removable to maintain factory preset. Image contrast is improved with iris diaphragm and filter holder.
- 5 Coaxial coarse & fine focus adjustment on both sides of microscope frame. Coarse tension is adjustable. Upper limit avoids impact between objective and slide.
- 6 LED illumination is energy efficient with long-lasting bulb. Rechargeable batteries allow cordless or corded microscope operation. Auto cut-off recharger included.
- 7 Select from Achromat or Plan Achromat objective lenses.
- 8 Rheostat control for light intensity control.





UX1 Objective Lenses

Achromat Objectives

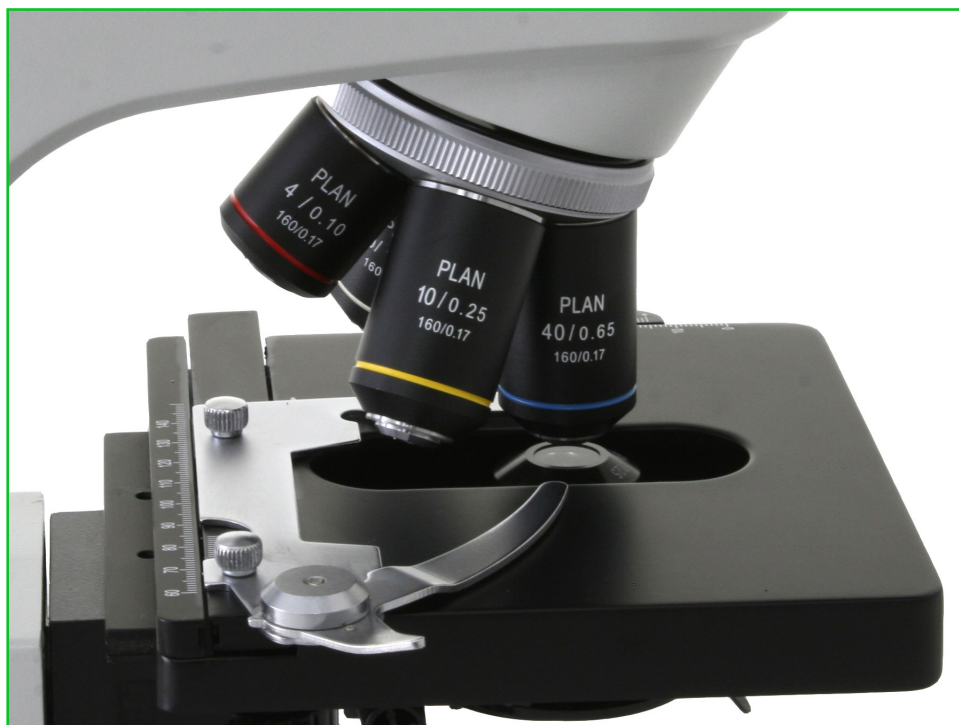
Objective	N.A.
4x	0.10
10x	0.25
40xs	0.65
100xs oil	1.25



Plan Achromat Objectives



Objective	N.A.	W.D.
4x	0.10	15.1mm
10x	0.25	1.5mm
40xs	0.65	0.38mm
100xs oil	1.25	0.09mm





UX1 Microscope Models



UX-1B Binocular

Binocular eyepieces have an interpupillary distance adjustable from 50-75mm.



UX-1T Trinocular

Trinocular port for camera attachment.
Beam splitter ratio = 80:20.



UX-1D Digital

3mp or 5mp USB Camera with Software for image capture and measurement.



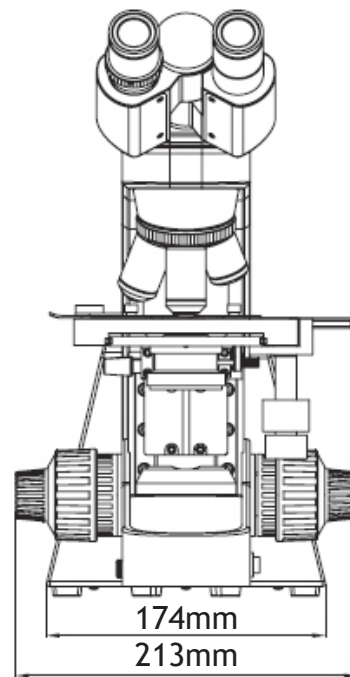
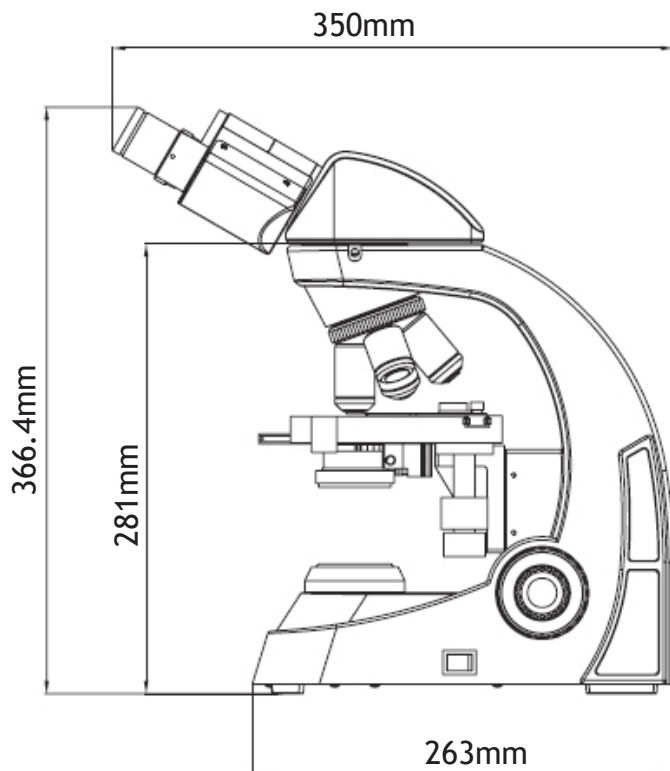
UX1-LCD HD

13" HD Monitor and Camera for image display and capture.



UX1 Microscope Specifications

Optical System	Finite Color Corrected Optical System
Viewing Head	30° inclined binocular head. Interpupillary distance adjustable 50-75mm. Left eyetube is +/-5 diopter adjustable.
	30° inclined trinocular head. Interpupillary distance adjustable 50-75mm. Left eyetube is +/-5 diopter adjustable. Light split 50/50.
Eyepieces	Widefield plan eyepiece PL10x, FN18. Retaining ring available for 19mm diameter reticle.
Objective Lenses	Achromat 4x, 10x, 40xs, 100xs oil.
	Plan Achromat 4x, 10x, 40xs, 100xs oil.
Nosepiece	Reversed quadruple nosepiece.
Focus Adjustment	Coaxial coarse and fine focus adjustment with coarse adjustment stop and tension adjustment. Range: 25mm, precision 0.002mm.
Stage	132mm x 140mm double layer mechanical stage with moving range 50mm x 76mm precision 0.1mm.
Condenser	N.A. 1.25 Abbe condenser with iris diaphragm and filter holder.
Illumination	3W LED illuminator with rheostat control, 100V~240V. Includes four AA rechargeable batteries and auto cut-off recharger. Operates plugged in or cordless.
C-Mount Adapters	Focusing 0.35x and 0.5x.
Reticles	Variety of 19mm Ø reticles available including: grid, ruler, cross-line, etc. Metric or inches.



info@richter-optica.com
www.richter-optica.com